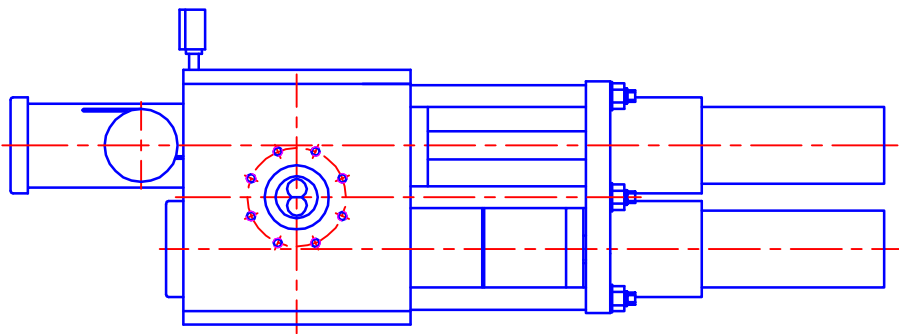
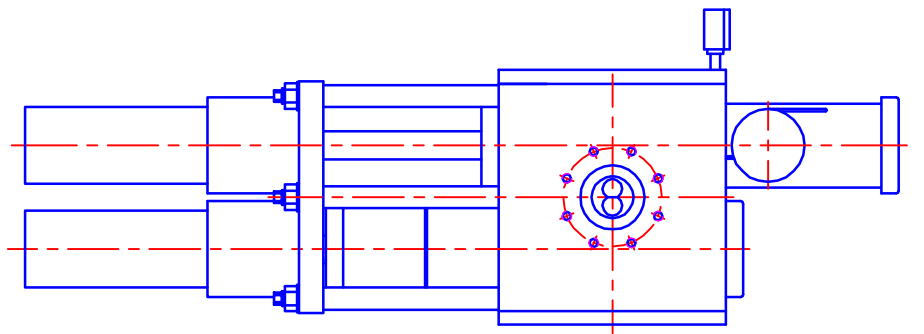


POSITION 1



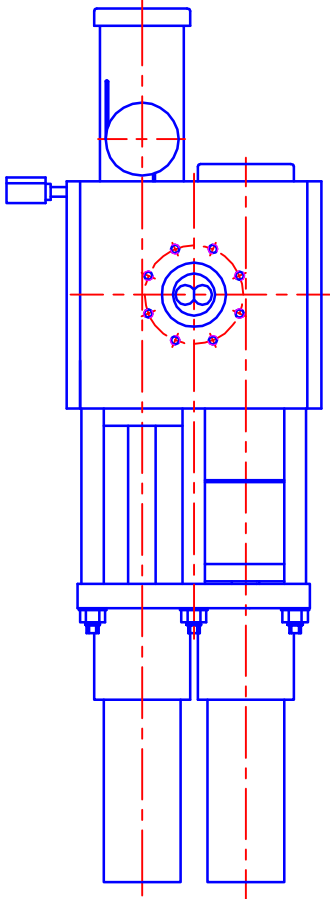
HORIZONTAL ORIENTATION  
SCREEN CHANGING ON LEFT SIDE

POSITION 2



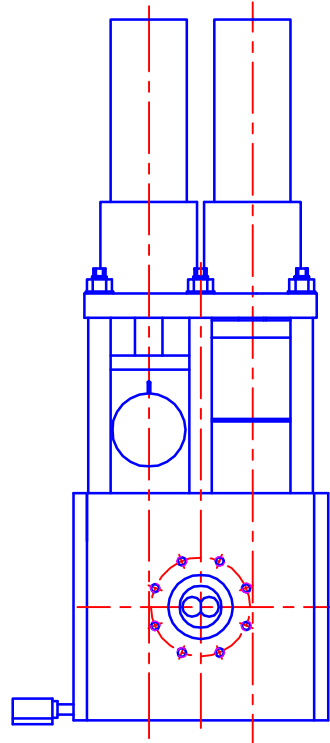
HORIZONTAL ORIENTATION  
SCREEN CHANGING ON RIGHT SIDE

POSITION 3



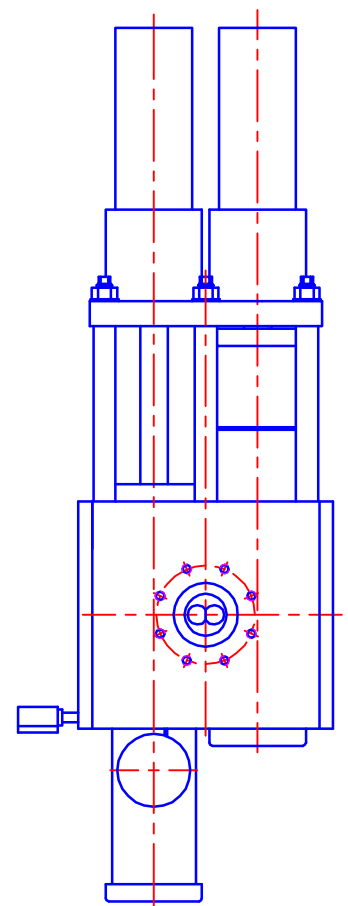
VERTICAL ORIENTATION  
SCREEN CHANGING ON TOP  
CYLINDER ON THE BOTTOM

POSITION 4



VERTICAL ORIENTATION  
SCREEN CHANGING ON TOP  
CYLINDER ON THE TOP

POSITION 5



VERTICAL ORIENTATION  
SCREEN CHANGING ON BOTTOM  
CYLINDER ON THE TOP

VIEWS ARE IN THE EXTRUSION DIRECTION  
LOOKING AT THE INLET SIDE.

- NOTES:  
1. VIEW IN  
EXTRUSION DIRECTION.  
2. PLEASE CHOOSE  
DESIRED ORIENTATION.

LET	REVISION	DATE
A	RELEASED	11/04/14



POLYMER SYSTEMS, INC  
1720 TATE BOULEVARD  
HICKORY, NC 28602

TITLE CONTINUOUS SCREEN CHANGER  
ORIENTATIONS

SCALE NTS

DRAWN JDB DATE 11/04/14 DWG. NO.

CHECKED JAB DATE 11/04/14 CSC-ORIENTATIONS(B)

APPROVED JAB DATE 11/04/14 SH. NO. CONT. ON SH.