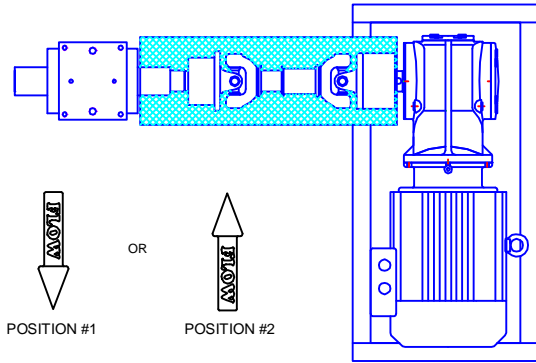
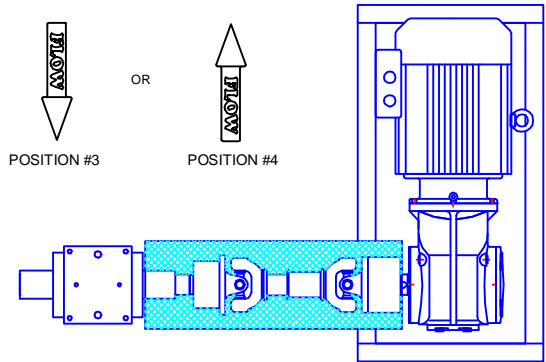


GEAR PUMP/DRIVE INSTALLATION POSITIONS

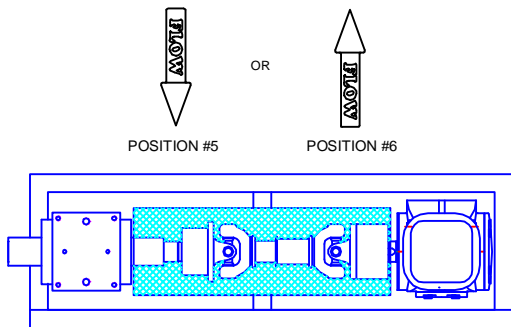
RIGHT ANGLE (GEARMOTOR ON SIDE #1)



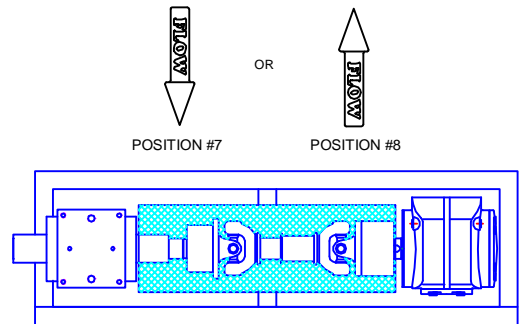
RIGHT ANGLE (GEARMOTOR ON SIDE #2)



RIGHT ANGLE (GEARMOTOR STANDING UP)



RIGHT ANGLE (GEARMOTOR ANGLED DOWN)



VIEWS ARE LOOKING
DOWN FROM
THE TOP.

NOTE:

1. VIEW LOOKING FROM THE TOP.
2. PLEASE CHOOSE DESIRED ORIENTATION.



POLYMER SYSTEMS, INC
1703 PINEVIEW STREET, SE
CONOVER, NC 28613

TITLE EGP/DRIVE, RIGHT ANGLE
ORIENTATION POSITIONS

SCALE N/A

DRAWN JDB

DATE 11/04/14

DWG. NO.

CHECKED JAB

DATE 11/04/14

EG-RTANGLE-POS(A)

APPROVED JAB

DATE 11/04/14

SH. NO.

CONT. ON SH.