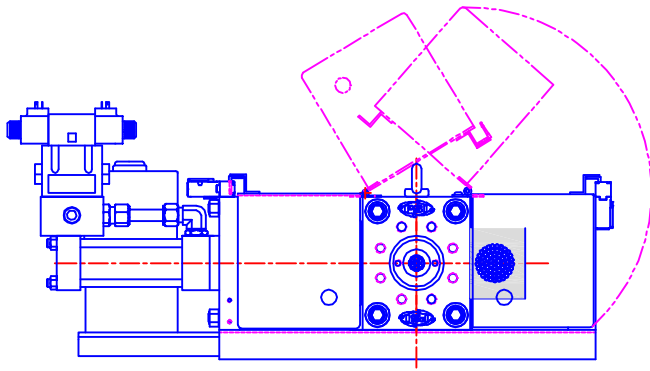
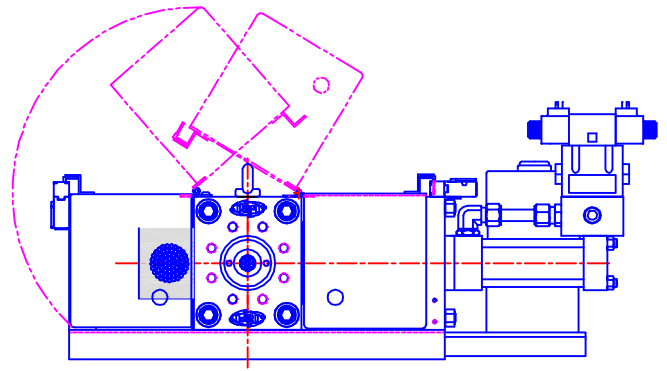


POSITION 1



HORIZONTAL ORIENTATION  
CYLINDER ON LEFT SIDE WHEN  
VIEWED FROM THE OUTLET SIDE

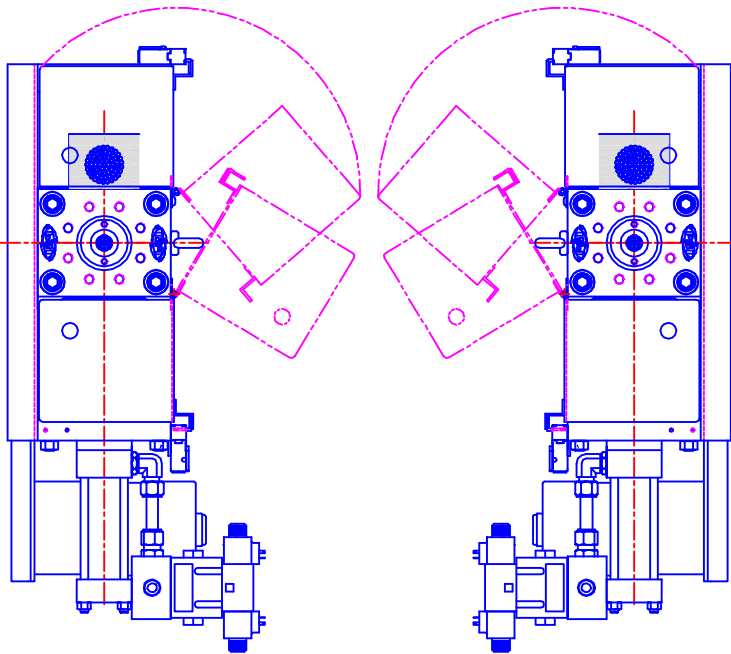
POSITION 2



HORIZONTAL ORIENTATION  
CYLINDER ON RIGHT SIDE WHEN  
VIEWED FROM THE OUTLET SIDE

POSITION 3

POSITION 5



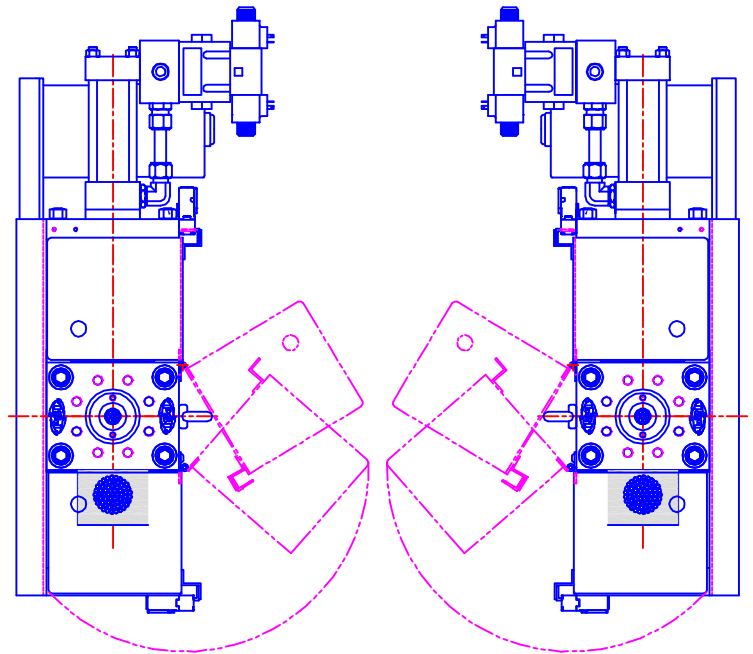
GUARDS OPENING RIGHT

GUARDS OPENING LEFT

VERTICAL ORIENTATION  
CYLINDER ON BOTTOM WHEN  
VIEWED FROM THE OUTLET SIDE

POSITION 4

POSITION 6



GUARDS OPENING RIGHT

GUARDS OPENING LEFT

VERTICAL ORIENTATION  
CYLINDER ON TOP WHEN  
VIEWED FROM THE OUTLET SIDE

**NOTES:**

1. VIEWS ARE SHOWN AS LOOKING INTO OUTLET SIDE OF SCREENCHANGER.
2. PLEASE CHOOSE DESIRED ORIENTATION.



POLYMER SYSTEMS, INC  
1703 PINEVIEW STREET, SE  
CONOVER, NC 28613

TITLE SSC SCREEN CHANGER  
ORIENTATIONS

SCALE N/A

DRAWN BRW DATE 3-15-03

CHECKED DATE

APPROVED DATE

DWG. NO.  
HSC-ORIENTATIONS(C)