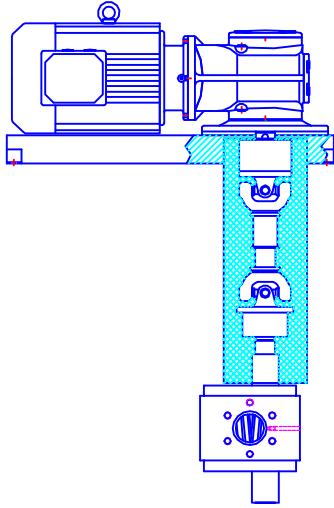
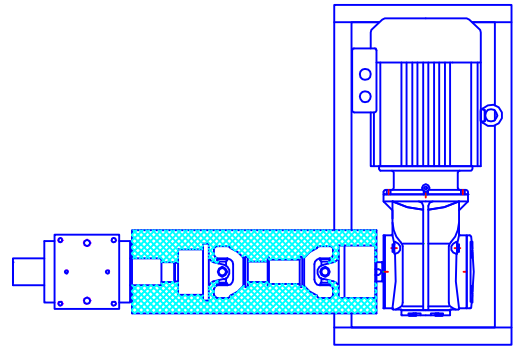


# GEAR PUMP/DRIVE INSTALLATION POSITIONS

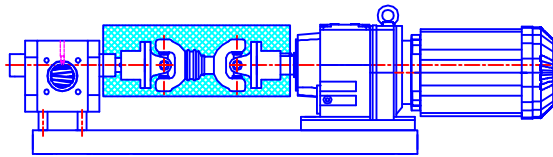
**SHAFT DOWN**  
(SIDE VIEW)



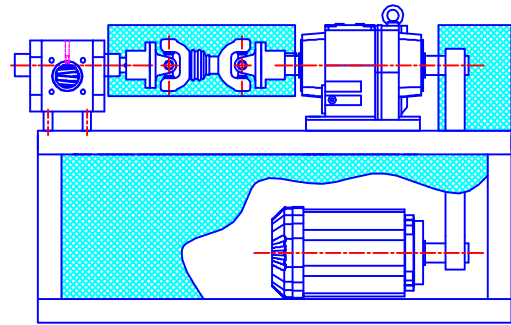
**RIGHT ANGLE**  
(TOP VIEW)



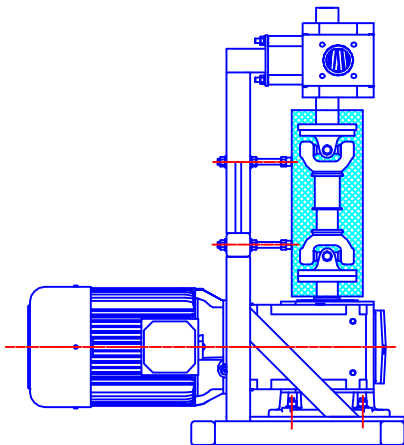
**INLINE**  
(SIDE VIEW)




**BELT DRIVE**  
(SIDE VIEW)



**SHAFT UP**  
(SIDE VIEW)



		<b>POLYMER SYSTEMS, INC</b> 1703 PINEVIEW STREET, SE CONOVER, NC 28613	
TITLE		EGP/DRIVE INSTALLATION POSITIONS	
SCALE	N/A	DWG. NO.	
DRAWN	DCW	DATE	11/03/14
CHECKED	ER	DATE	11/03/14
APPROVED	GW	DATE	11/03/14
		SH. NO.	CONT. ON SH.