

Pump Rotation

Standing at the gearbox looking along the axis of the driver gear shaft:

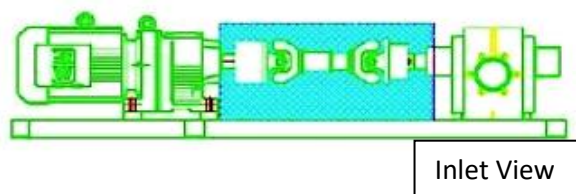
- Does the gear rotate clockwise or counterclockwise?

Cross-check:

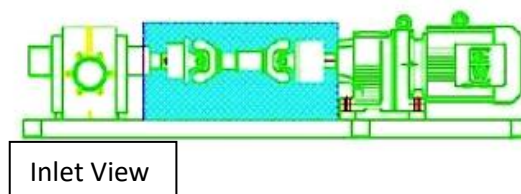
- Looking downstream from the extruder or vessel along the axis of flow (into the pump INLET), is the driver gear coupled to the gearbox on the left, or right?

Looking into the Pump **INLET**

Driven from the Left:
Driver Gear on **TOP**:
Rotation = **COUNTERCLOCKWISE**
*If Driver Gear is on the Bottom,
rotation is clockwise*

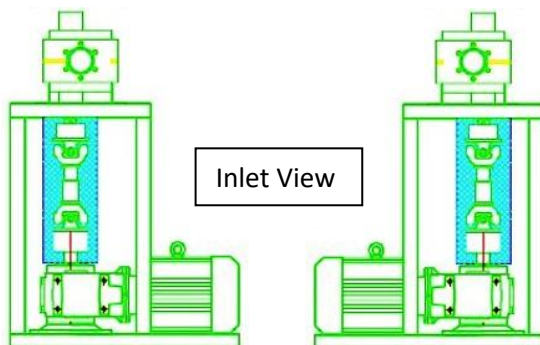


Driven from the Right
Driver Gear on **TOP**
Rotation = **CLOCKWISE**
*If Driver Gear is on the Bottom,
rotation is counterclockwise*



**COUNTER
CLOCKWISE**

CLOCKWISE



**COUNTER
CLOCKWISE**

CLOCKWISE

