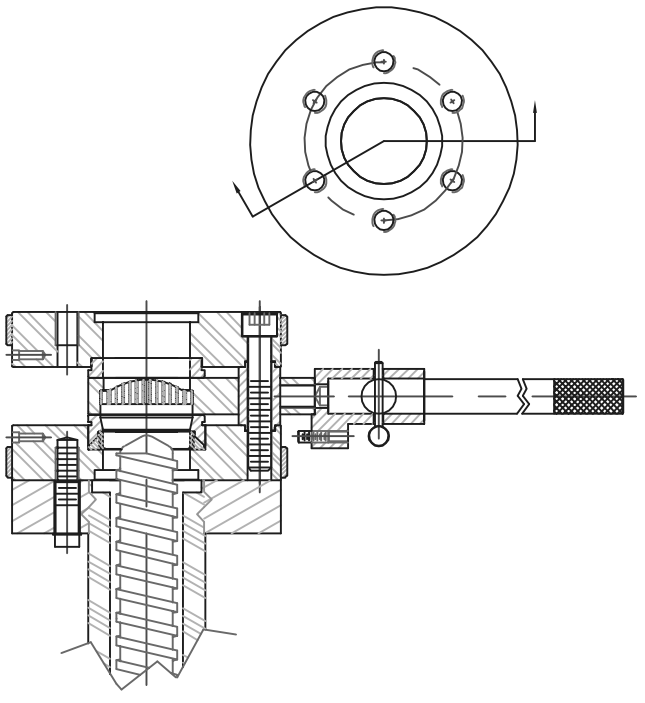
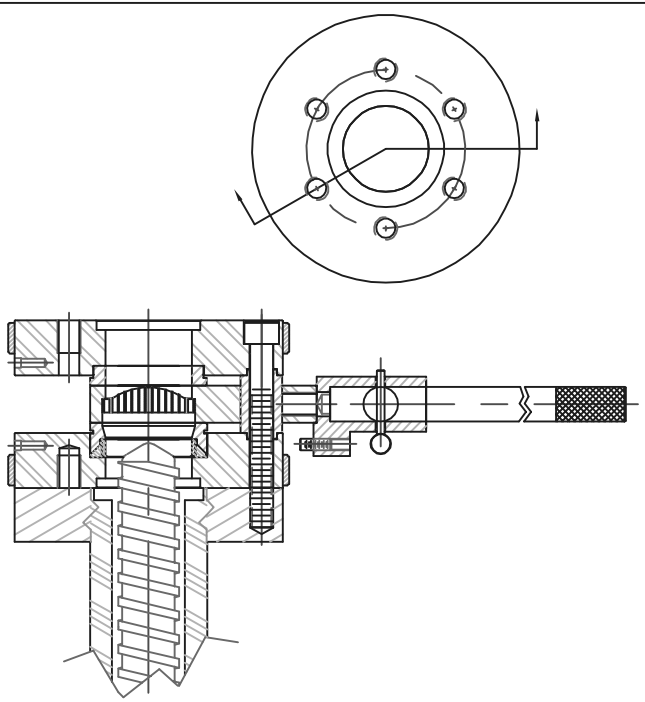


THIS DRAWING CONTAINS INFORMATION PROPRIETARY TO POLYMER SYSTEMS, INC. ANY USE OF THIS DRAWING IS EXPRESSLY PROHIBITED EXCEPT AS POLYMER SYSTEMS MAY OTHERWISE AGREE IN WRITING

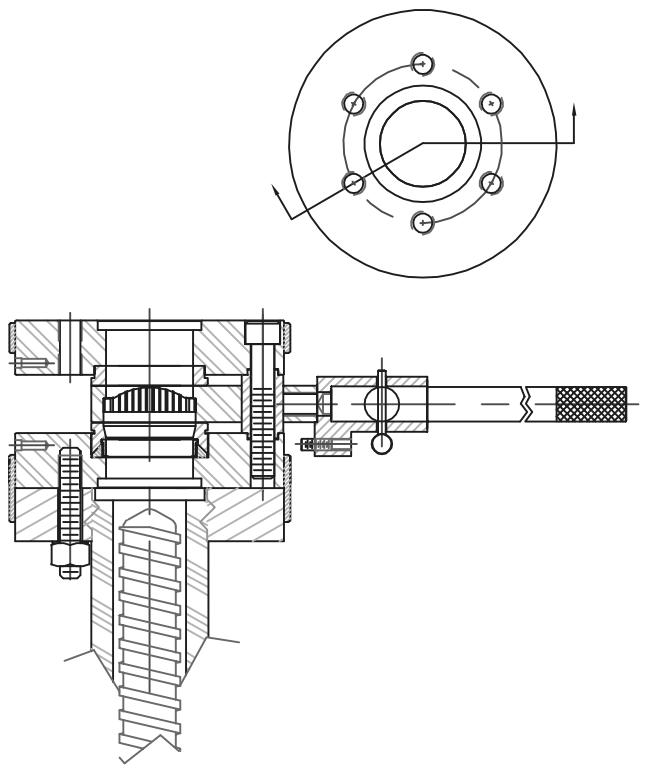
CONFIDENTIAL



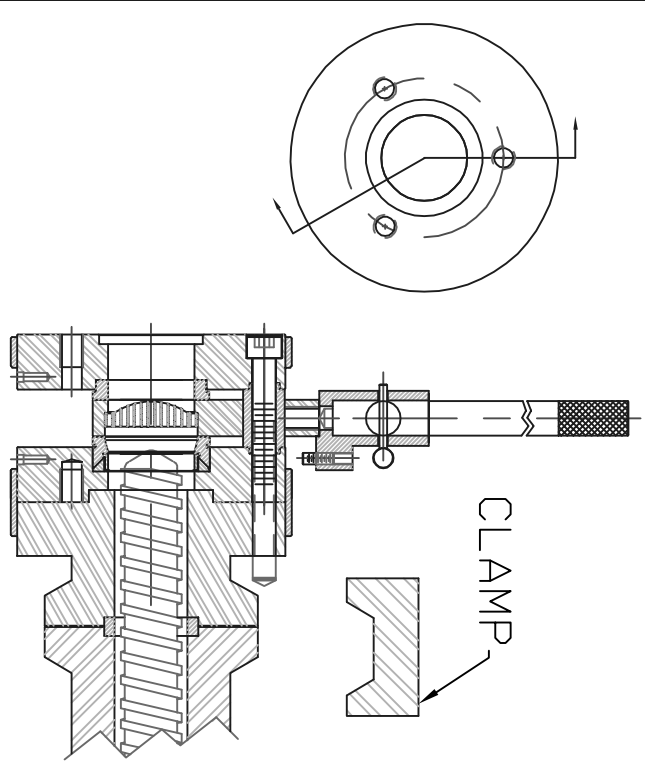
BOLT ON



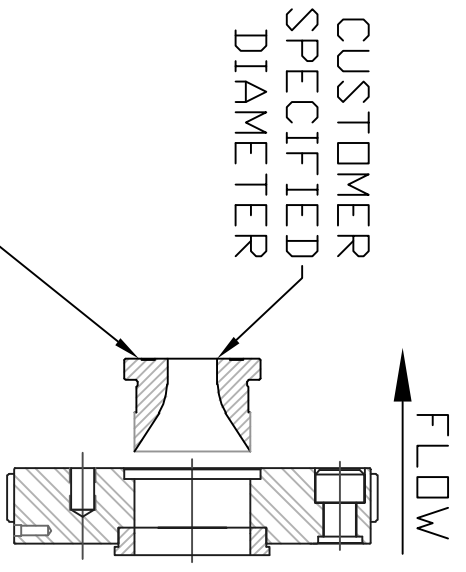
BOLT THROUGH



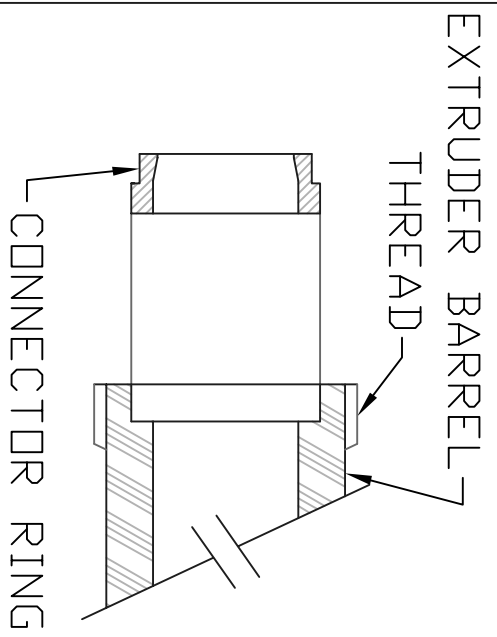
STUD MOUNT



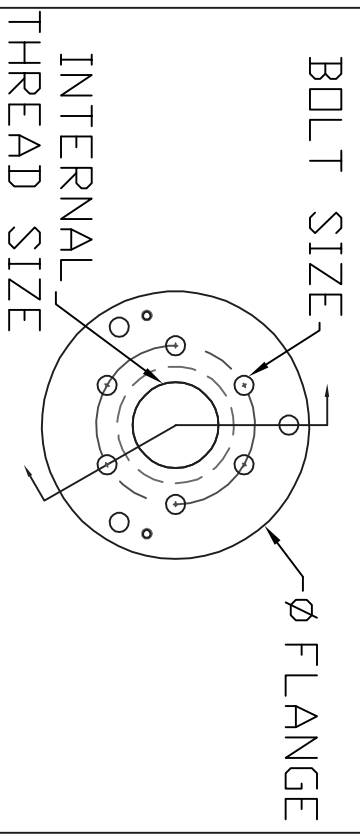
"C" CLAMP ADAPTER



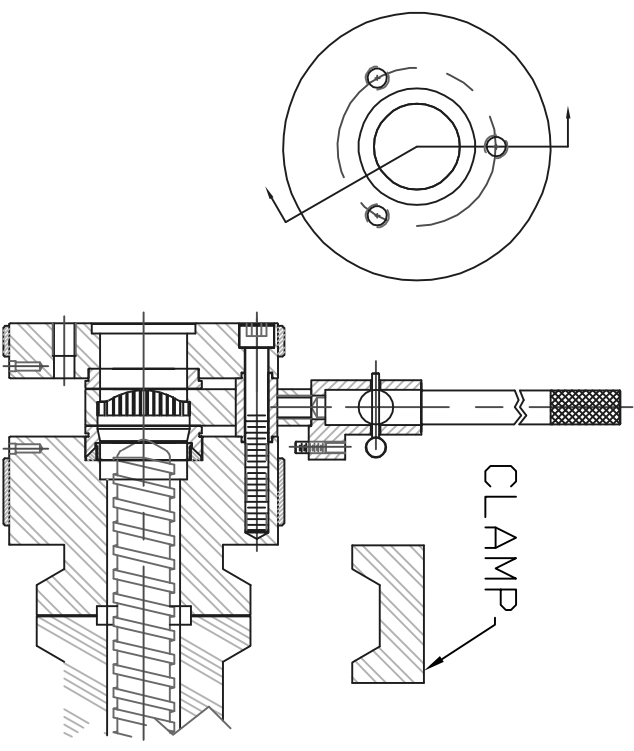
DOWNSTREAM REDUCER BUSHING



TYPICAL MOUNTING INTERFACE FOR SCREEN CHANGER



USER SPECIFIED BOLT PATTERN



CLAMP

LET	REVISION	DATE
A	RELEASED	08/17/09



POLYMER SYSTEMS, INC
1703 PINEVIEW STREET, SE
CONDOVER, NC 28613

TITLE MOUNTING AND INTERFACE OPTIONS

SCALE 1:1	PROJECTION
DRAWN DCW DATE 08/17/09	DWG. NO.
CHECKED DCW DATE 08/17/09	MSC-MOUNTING (A)
APPROVED DCW DATE 08/17/09	SH. NO. CDNT. DN SH.