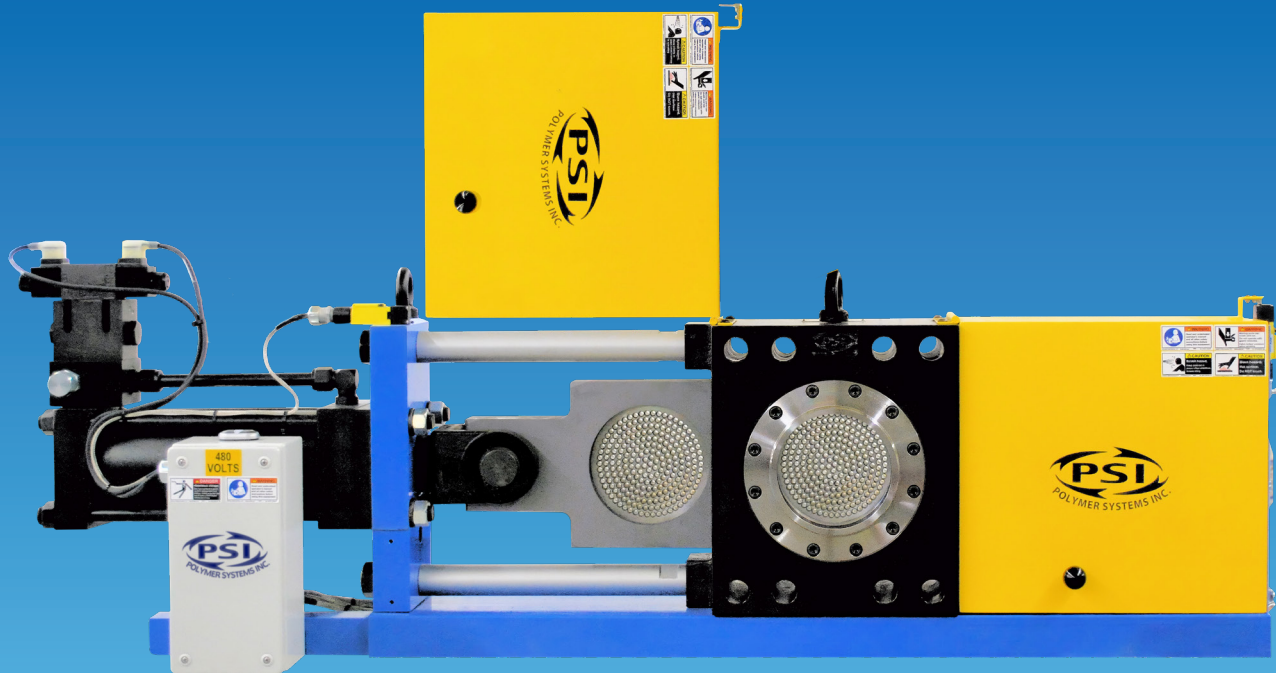




Get More from Your Process



Hydraulic Screen Changer (HSC)

Hydraulic Slide Plate Screen Changers (HSC) offer quick-change polymer filtration for processes that tolerate a momentary disruption. Ideally suited to occasional screen changes, the HSC also handles bursts of contamination, accommodating rapid screen changes until contamination levels return to normal. Common applications include film, sheet, corrugated pipe, pelletizing, reclaim, and a host of others.

The design uses a two-position reciprocating slide plate to rapidly move screen packs in and out of the melt stream. Inlet volume reduction and material velocity are optimized through a streamlined bore that accommodates a feed screw extension. A removable downstream bushing provides customized flow transition and accommodates screw pull-through.

The heart of the system is PSI's patented, life-time warranted pressure-activated sealing system. Seal activation is by an expandable steel pressure ring that instantly reacts to changes in head pressure and never wears out. The no-maintenance design provides an exceptionally long service life and never requires operator adjustment.

Features

- Patented, leak-free pressure-activated sealing system
- Oversized screen packs for low restriction / longer run times
- Screen changes in under a second
- Extruder screw pull-through
- Low residence time
- Removeable downstream reducer bushing
- Electrically interlocked guards
- Maximum open-area breaker plates
- Heater leads protected from melt drool

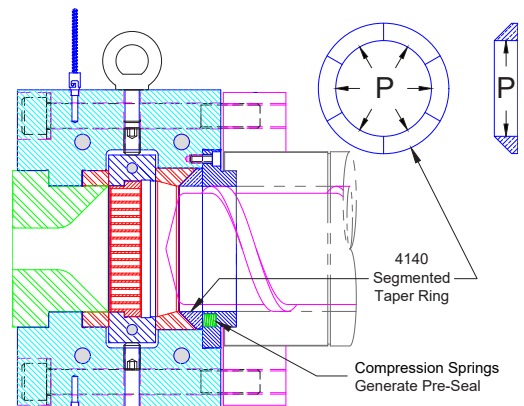
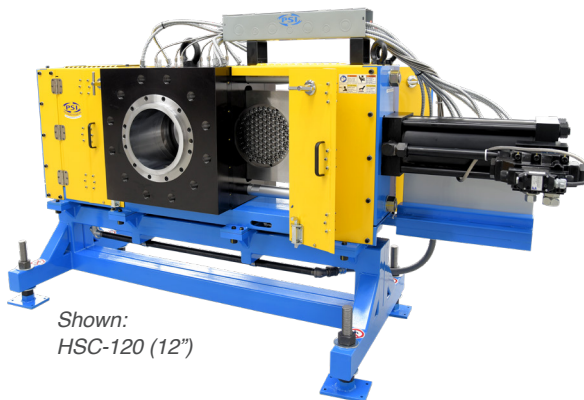
Hydraulic Screen Changer (HSC)

Options

- Application-specific materials of construction
- Chrome or nickel plating
- Three (3) zone for smaller units (HSC-25 through HSC-45)
- Special voltage heaters
- Hydraulic cylinder proximity sensors
- Internal fluid heat/cool
- Special seals for extrusion coating – high heat/low viscosity
- Vertical mount (up to HSC-65)
- High temperature to 850°F [454°C]
- Special design breaker plates to decrease delta pressure
- Co-extrusion check valve to prevent material backflow during screen change
- Expanded (foamed) polymers package
- Hydraulic Power Unit manifold for multiple screen changer operation
- Cart mounted Hydraulic Power Unit
- 24VDC or 220VAC solenoid control (110V standard)
- CE / ATEX compliance

Accessories

- Hydraulic Power Unit
- Support cart
- Pressure instruments
- Heat control
- Hot oil control units



Technical

| Specifications | Standard |
|---------------------------------------|----------------------|
| Bolt-thru connections | HSC-25 - HSC-65 |
| Bolt-on connections | HSC-80 - HSC-150 |
| Operating Temperature | Up to 650°F (343°C) |
| Max. Inlet Pressure HSC-25 - HSC-80 | 10,000 PSI (690 bar) |
| Max. Inlet Pressure HSC-100 - HSC-150 | 5,000 PSI (345 bar) |
| Max. Differential Pressure | 3,000 PSI (207 bar) |
| Solenoid control valve voltage | 110V (optional 24V) |

| Model | Max. Throughput* | | Max. Clearance Bore Diam. | | Screen Diameter | | Screen Area | | Zone | Heater kW | | Weight | |
|---------|------------------|-------|---------------------------|-------|-----------------|-----|-----------------|-----------------|-----------|-----------|-------|--------|-------|
| | lbs/hr | kg/hr | inch | mm | inch | mm | in ² | cm ² | | Body | Plate | lb | kg |
| HSC-25 | 600 | 227 | 2.55 | 64.8 | 2.878 | 73 | 6.5 | 41.9 | 1 (opt 3) | 2.6 | 0.6 | 270 | 123 |
| HSC-35 | 1,100 | 418 | 3.59 | 91.2 | 3.94 | 100 | 12.2 | 78.6 | 1 (opt 3) | 3.8 | 1.2 | 385 | 175 |
| HSC-45 | 1,950 | 726 | 4.78 | 121.4 | 5.19 | 132 | 21.1 | 136.4 | 1 (opt 3) | 5.6 | 1.6 | 560 | 255 |
| HSC-60 | 3,100 | 1,157 | 6.02 | 152.9 | 6.56 | 167 | 33.8 | 218.2 | 3 (opt 1) | 8 | 1.6 | 775 | 352 |
| HSC-65 | 3,550 | 1,361 | 6.55 | 166.4 | 7.06 | 179 | 39.2 | 252.7 | 3 (opt 1) | 8 | 1.6 | 775 | 352 |
| HSC-80 | 5,400 | 2,042 | 8.05 | 204.5 | 8.69 | 221 | 59.3 | 382.5 | 3 | 16 | 3.2 | 1,650 | 749 |
| HSC-100 | 9,000 | 3,629 | 10.01 | 254.3 | 10.81 | 275 | 91.8 | 592.4 | 3 | 32 | 6 | 3,460 | 1,570 |
| HSC-120 | 13,000 | 5,444 | 12.01 | 305.1 | 12.88 | 327 | 130 | 840.0 | 4 | 32 | 6 | 3,875 | 1,758 |
| HSC-150 | 20,000 | 8,392 | 15.01 | 381.3 | 15.94 | 405 | 200 | 1,287.5 | 4 | 42 | 9 | 4,800 | 2,177 |



Main Office:
PSI-Polymer Systems, Inc.
1703 Pineview Street SE
Conover, NC 28613
United States

Contact Us:
www.psi-polymersystems.com
sales@psi-polymersystems.com
service@psi-polymersystems.com
Ph: USA 1.828.468.2600

European Sales Office:
PSI-Polymer Systems Europe, GmbH
Friedrich-Ebert-Str. 11
DE 74177 Bad Friedrichshall, Germany
HTS code: 8477900020

